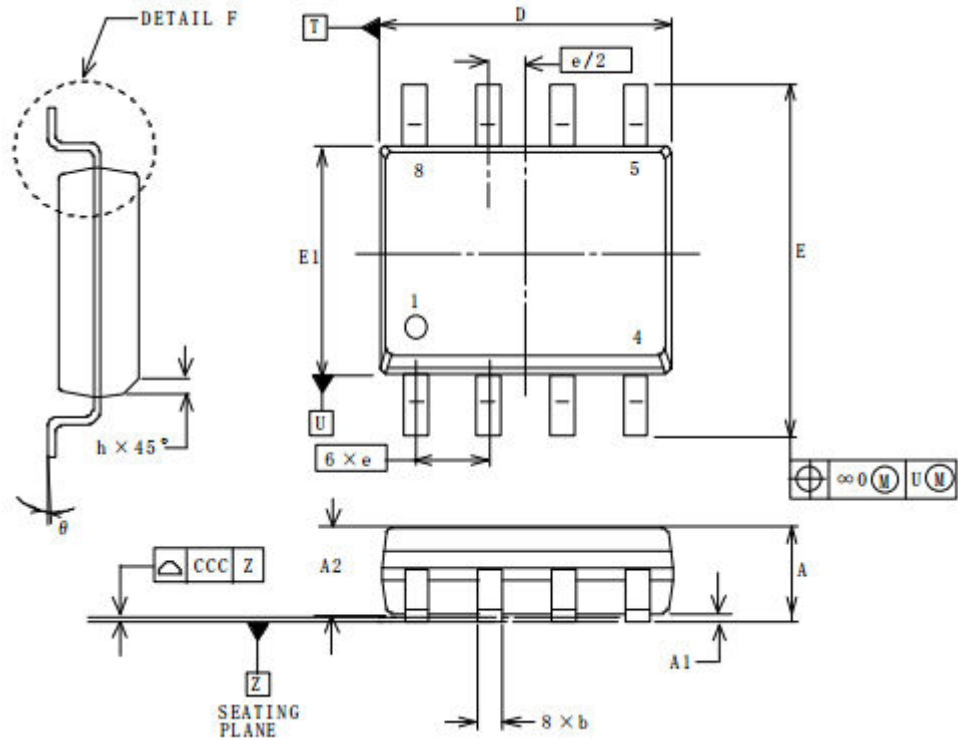


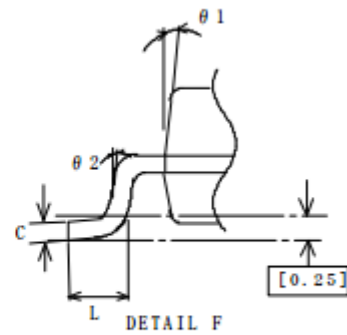


Package Information

SOP-8



DESCRIPTION	SYMBOL	INCH		MILLIMETER	
		MIN	MAX	MIN	MAX
TOTAL THICKNESS	A	.053	.069	1.35	1.75
STAND OFF	A1	.004	.010	0.10	0.25
WLD THICKNESS	A2	.009	-	0.25	-
LEAD WIDTH	b	.014	.019	0.35	0.49
L/F THICKNESS	C	.007	.010	0.19	0.25
BODY SIZE	D	.189	.197	4.80	5.00
	E1	.150	.157	3.80	4.00
	E	.228	.244	5.80	6.20
LEAD PITCH	e	.050 BSC		1.27 BSC	
	L	.015	.049	0.40	1.25
	h	.010	.020	0.25	0.50
	θ	0°	7°	0°	7°
	θ 1	5°	15°	5°	15°
	θ 2	2°	7°	2°	7°
LEAD EDGE OFFSET	∞0	.010		0.25	
LEAD OFFSET	bbb	.010		0.25	
COPLANARITY	CCC	.004		0.10	



UNIT :Inch / mm